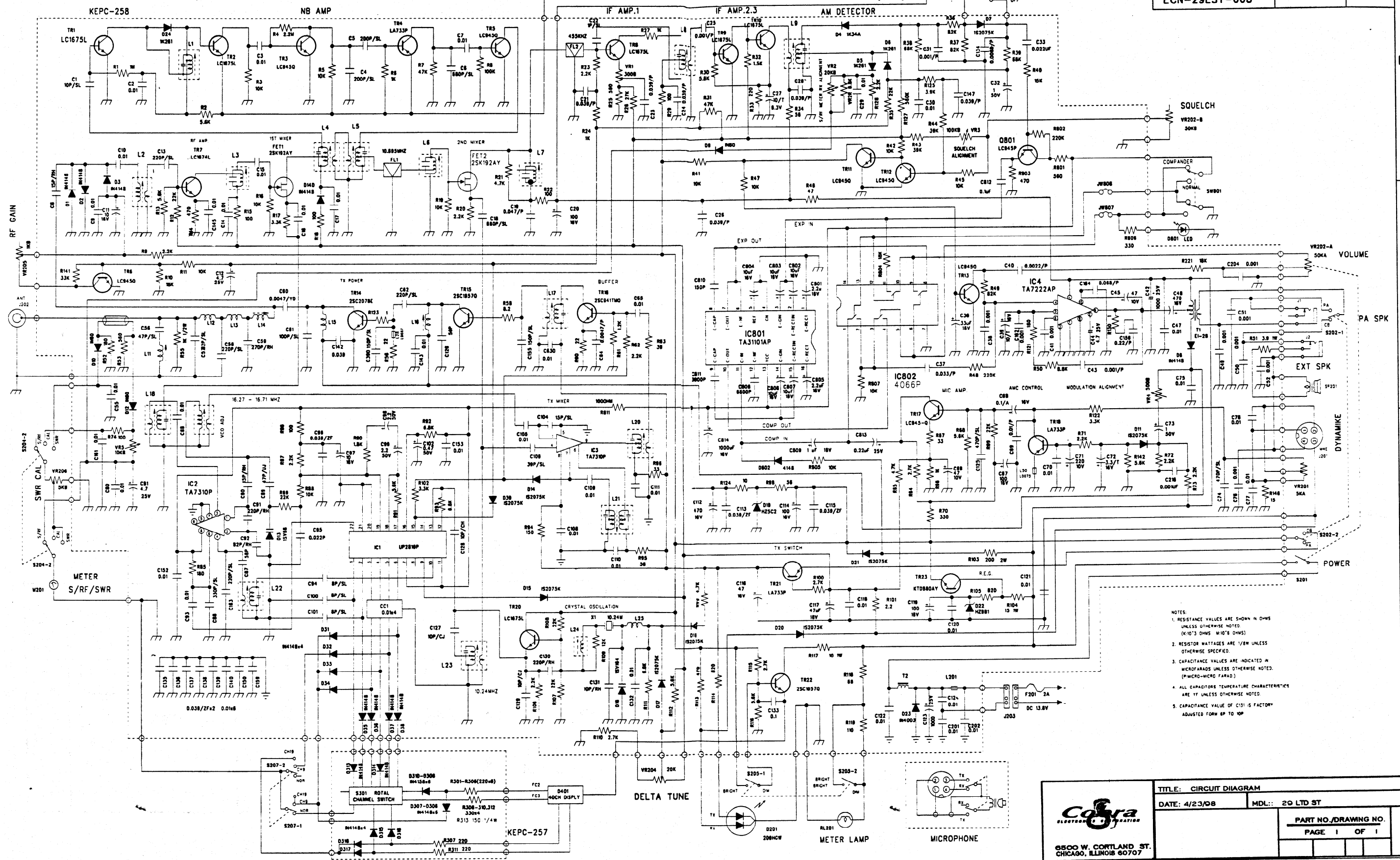


CIRCUIT DIAGRAM FOR COBRA 29LST

REVISION RECORD

UPDATE TO ECN NO.	APPROVED:	DATE:
ECN-29LST-668		



- NOTES:
1. RESISTANCE VALUES ARE SHOWN IN OHMS UNLESS OTHERWISE NOTED. (K=10³ OHMS M=10⁶ OHMS)
 2. RESISTOR WATTAGES ARE 1/8W UNLESS OTHERWISE SPECIFIED.
 3. CAPACITANCE VALUES ARE INDICATED IN MICROFARADS UNLESS OTHERWISE NOTED. (P=PICTO-FARAD)
 4. ALL CAPACITORS TEMPERATURE CHARACTERISTICS ARE 1% UNLESS OTHERWISE NOTED.
 5. CAPACITANCE VALUE OF C131 IS FACTORY ADJUSTED FROM 6P TO 10P

CoBra
ELECTRONIC CORPORATION

5500 W. CORTLAND ST.
CHICAGO, ILLINOIS 60707

TITLE: CIRCUIT DIAGRAM
DATE: 4/23/58 MDL: 20 LTD ST

PART NO./DRAWING NO.
PAGE 1 OF 1